

BOMBAS DE AGUA



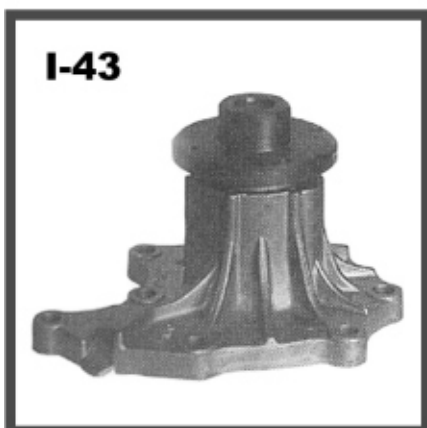
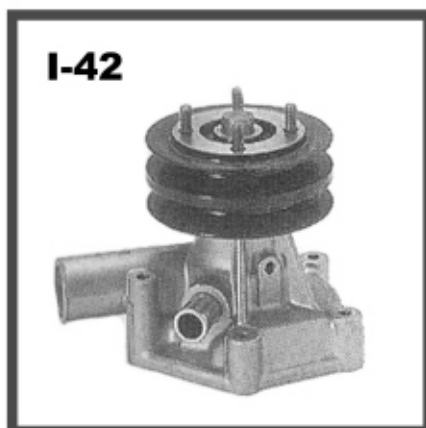
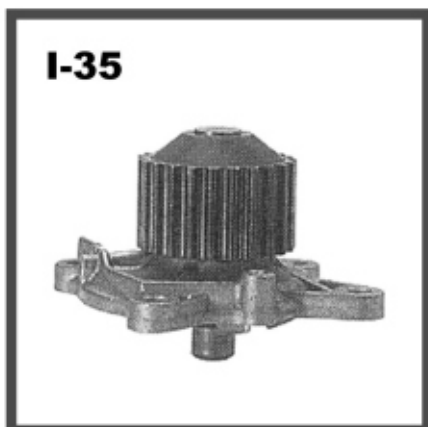
- TOYOTA
- KIA
- HONDA
- HYUNDAI
- MAZDA
- ISUZU
- NISSAN
- DAIHATSU
- SUZUKI
- MITSUBISHI
- SUBARU

BOMBAS DE AGUA



- TOYOTA
- KIA
- HONDA
- HYUNDAI
- MAZDA
- ISUZU
- NISSAN
- DAIHATSU
- SUZUKI
- MITSUBISHI
- SUBARU

BOMBAS DE AGUA



TOYOTA

KIA

HONDA

HYUNDAI

MAZDA

ISUZU

NISSAN

DAIHATSU

SUZUKI

MITSUBISHI

SUBARU

BOMBAS DE AGUA



- TOYOTA
- KIA
- HONDA
- HYUNDAI
- MAZDA
- ISUZU
- NISSAN
- DAIHATSU
- SUZUKI
- MITSUBISHI
- SUBARU

BOMBAS DE AGUA

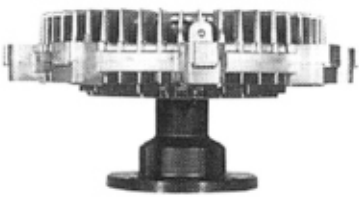


- TOYOTA
- KIA
- HONDA
- HYUNDAI
- MAZDA
- ISUZU
- NISSAN
- DAIHATSU
- SUZUKI
- MITSUBISHI
- SUBARU

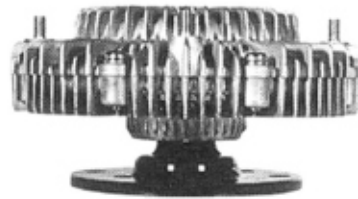
BOMBAS DE AGUA



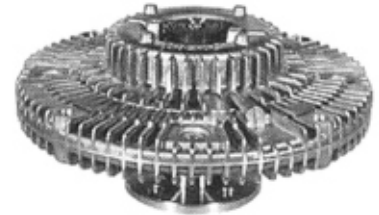
I-55F



I-56F



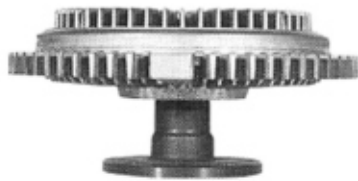
I-57F



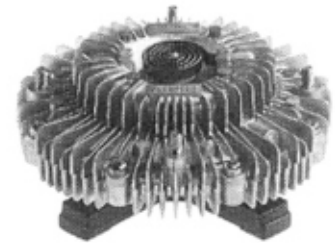
I-58F



I-59F



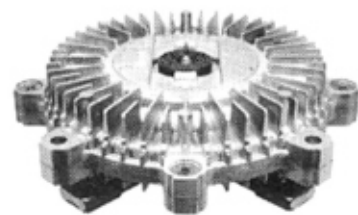
I-60F



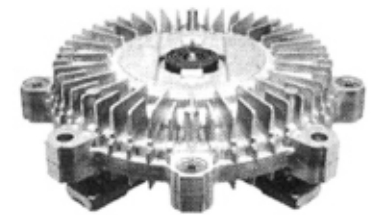
I-61F



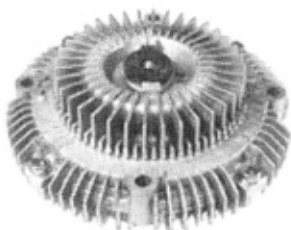
I-62F



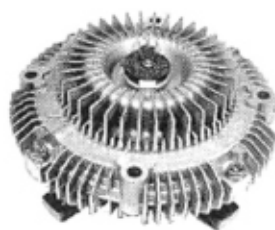
I-63F



I-64F



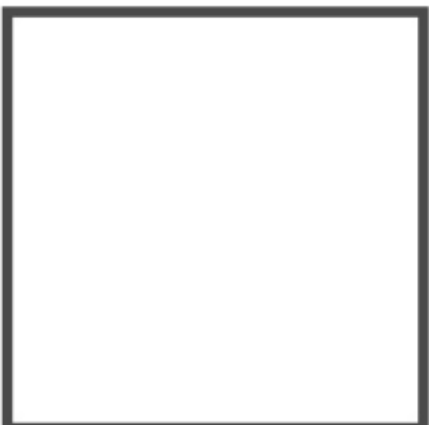
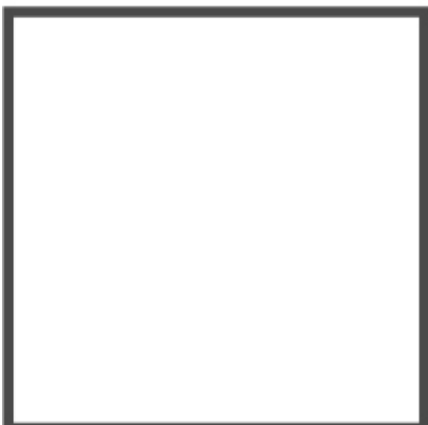
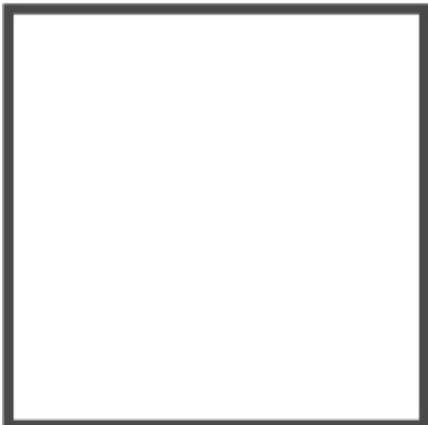
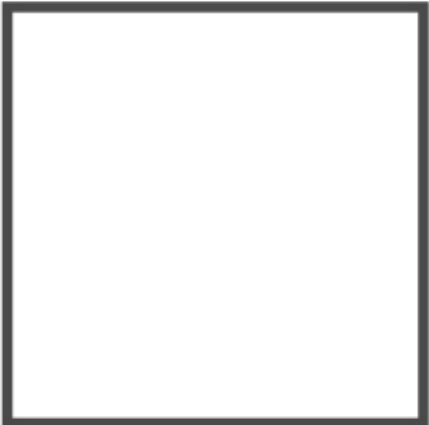
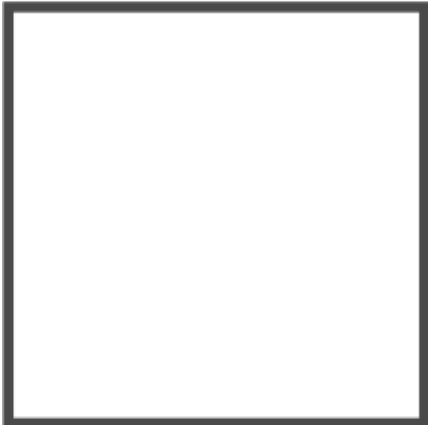
I-65F



I-66F



BOMBAS DE AGUA



- TOYOTA
- KIA
- HONDA
- HYUNDAI
- MAZDA
- ISUZU
- NISSAN
- DAIHATSU
- SUZUKI
- MITSUBISHI
- SUBARU